

Porta Electric Door Lock Installation

WARNING: The installation of this device should only be performed by a professional elevator technician that has a full understanding of this device's operation and function.

Note: If there is any doubt regarding the installation procedures, please call the factory for assistance. We are available M-F 8:00 am to 5:00 pm Central Time.

WARNING: Failure to comply with all instructions and "WARNING"(s) can result in a safety system compromise. This, in turn, can result in serious injury or death.

Pre-Installation:

1. Fully read and understand all instructions and warnings.
2. Verify that the doorlock is the correct hand and voltage. Lock hand is determined by looking at the hoistway door from outside the hoistway. Door knob/latch on your left = LH lock.
 - **Note:** If you have the incorrect hand or voltage, order the correct lock.
3. The shoulder bolt mounted near the "closed" contacts is there to insure that the keeper is within it's maximum down tolerance.

WARNING: DO NOT REMOVE, MODIFY OR TAMPER WITH THIS SHOULDER BOLT.

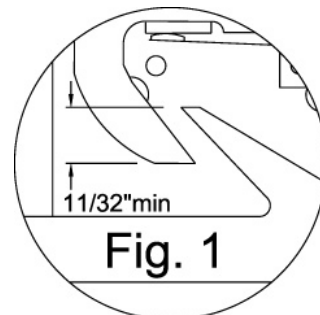
Installation:

- 1) The lock must be mounted on the knob/latch side of the door.
- 2) Determine lock height. The lock will accept a multi-conductor cable from the back or ½" conduit from the top.
- 3) The lock requires a flat mounting surface. Either shim lock mounting surface (jamb side) to be level with door stop trim or remove door stop trim as follows:
 - a) Wiring from the top: Remove 1 7/8" of stop trim from top jamb and 9 ¼" from side jamb.
 - b) Wiring from back: Remove 9 ¼" of stop trim from side jamb at the desired lock location.
- 4) From inside the hoistway, secure the template provided to the lock mounting surface and door.
- 5) Drill holes per the template instructions.

WARNING: DO NOT ATTEMPT TO INSTALL LOCK WITHOUT USING THE TEMPLATE.

- 6) Mount the door lock to the jamb using two #10 x 1 ½" pan head screws
- 7) Mount the keeper to the door using the 8-32 sex bolts and the flat head screws
 - a) Cut 8-32 screws as necessary to accommodate door thickness
- 8) From the hoistway side, close the door and verify that you can release the latch manually.
 - a) Adjust the lock and or keeper as necessary
- 9) Connect wires to doorlock.
 - a) Voltage to terminals 3 & 4
 - b) Door Safety Chain (in series) to terminals 1 & 2
- 10) Apply appropriate voltage to terminals 3 & 4 and check for proper solenoid operation.
- 11) Verify Keeper to latch engagement is according to Fig. 1
- 12) Check for continuity between terminals 1 & 2 when door is closed and solenoid is de-activated.
- 13) Verify an open circuit between terminals 1 & 2 when door is closed and solenoid is activated.
- 14) Verify an open circuit between terminals 1 & 2 when door is opened and solenoid is de-activated.
- 15) Drill two pilot holes in jamb and secure lock with two #10 x 1 ½" pan head screws.
- 16) Install cover using 6-32 screw and verify proper operation.

WARNING: DO NOT MODIFY THE COVER TO ACCEPT THE KEEPER.



Porta 3/4" Plate Kit Installation

WARNING: The installation of this device should only be performed by a professional elevator technician that has a full understanding of this device's operation and function.

Note: If there is any doubt regarding the installation procedures, please call the factory for assistance. We are available M-F 8:00 am to 5:00 pm Central Time.

WARNING: Failure to comply with all instructions and "WARNING"(s) can result in a safety system compromise. This, in turn, can result in serious injury or death.

Pre-Installation:

1. Fully read and understand all instructions and warnings.
2. This kit is to only be used with the Porta EMDL series
3. This kit is intended for 1 3/4" thick **solid core** hoistway doors
 - **If your door is less than 1 3/4" thick spacers must be added to the hall side of the door to make up the difference. 1/8" thick spacers (P.N.: EMDL750SP) are sold separately. The spacers are not hand dependant.**
4. These instructions are to be used in conjunction with the lock installation instructions.

Plate Kit Installation:

- 1) The lock must be mounted on the knob/latch side of the door.
- 2) Determine lock height. The lock will accept a multi-conductor cable from the back or 1/2" conduit from the top.
- 3) The lock requires a flat mounting surface. Remove 12-5/16" of door stop trim (jamb side) at the desired lock location.
- 4) From inside the hoistway, secure the template provided to the lock mounting surface and door.
- 5) Drill holes per the template instructions.

WARNING: DO NOT ATTEMPT TO INSTALL PLATE KIT WITHOUT USING THE TEMPLATE.

- 6) Mount plate and backing spacer to door
- 7) Trace inside line of backing spacer to door
- 8) Remove plate and backing spacer
- 9) Cut door along traced outline
- 10) Attach Keeper to Hoistway side of plate with two 10-32 x 7/16" flat head screws
- 11) Lock Keeper in place using two 10-32 acorn nuts
- 12) Mount plate and backing spacer to door
- 13) Mount the door lock to the jamb using two #10 x 1 1/2" pan head screws
- 14) From the hoistway side, close the door and verify that you can release the latch manually.
 - a) Adjust the lock and or keeper as necessary

*******WARNING: DO NOT MODIFY THE COVER TO ACCEPT THE KEEPER*******

- 15) Refer to "Porta Electric Door Lock Installation" instructions items 9-16 to complete the installation

*****WARNING*****

All inspections, maintenance, repairs and replacements should be performed by elevator personnel only.

*****WARNING*****

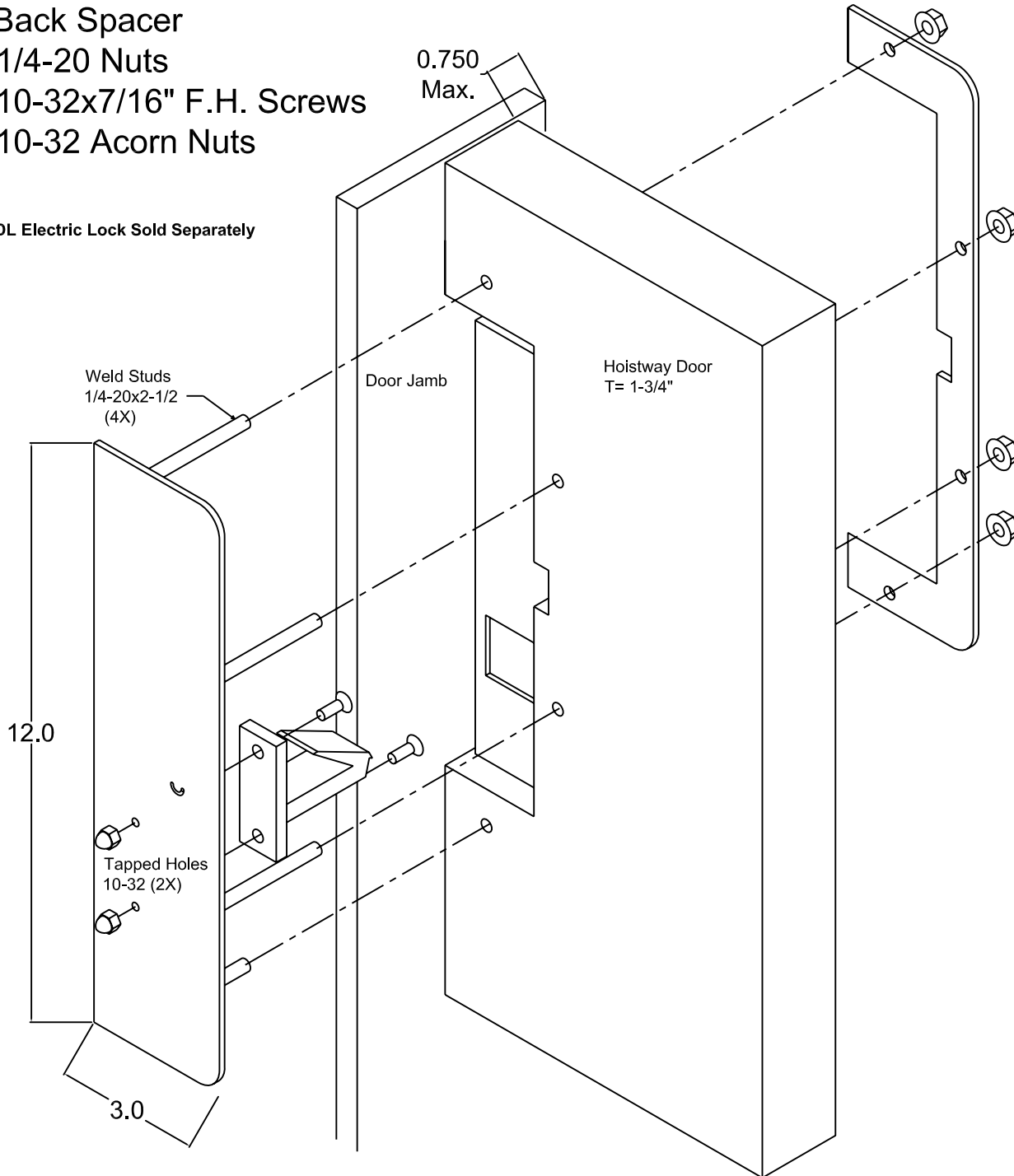
3/4" Set Back Plate Kit

Porta: EMDL L.H. Door Locks

Kit Contains:

- 1- Plate
- 1- Back Spacer
- 4- 1/4-20 Nuts
- 2- 10-32x7/16" F.H. Screws
- 2- 10-32 Acorn Nuts

EMDL Electric Lock Sold Separately



Note: If Hoistway Door is less than 1-3/4" thick additional 1/8" spacers are required on Hall side of plate. Additional spacers are sold separately. Part Number: EMDL750SP

Porta 3/4" Plate Kit Installation

WARNING: The installation of this device should only be performed by a professional elevator technician that has a full understanding of this device's operation and function.

Note: If there is any doubt regarding the installation procedures, please call the factory for assistance. We are available M-F 8:00 am to 5:00 pm Central Time.

WARNING: Failure to comply with all instructions and "WARNING"(s) can result in a safety system compromise. This, in turn, can result in serious injury or death.

Pre-Installation:

1. Fully read and understand all instructions and warnings.
2. This kit is to only be used with the Porta EMDL series
3. This kit is intended for 1 3/4" thick **solid core** hoistway doors
 - **If your door is less than 1 3/4" thick spacers must be added to the hall side of the door to make up the difference. 1/8" thick spacers (P.N.: EMDL750SP) are sold separately. The spacers are not hand dependant.**
4. These instructions are to be used in conjunction with the lock installation instructions.

Plate Kit Installation:

- 1) The lock must be mounted on the knob/latch side of the door.
- 2) Determine lock height. The lock will accept a multi-conductor cable from the back or 1/2" conduit from the top.
- 3) The lock requires a flat mounting surface. Remove 12-5/16" of door stop trim (jamb side) at the desired lock location.
- 4) From inside the hoistway, secure the template provided to the lock mounting surface and door.
- 5) Drill holes per the template instructions.

WARNING: DO NOT ATTEMPT TO INSTALL PLATE KIT WITHOUT USING THE TEMPLATE.

- 6) Mount plate and backing spacer to door
- 7) Trace inside line of backing spacer to door
- 8) Remove plate and backing spacer
- 9) Cut door along traced outline
- 10) Attach Keeper to Hoistway side of plate with two 10-32 x 7/16" flat head screws
- 11) Lock Keeper in place using two 10-32 acorn nuts
- 12) Mount plate and backing spacer to door
- 13) Mount the door lock to the jamb using two #10 x 1 1/2" pan head screws
- 14) From the hoistway side, close the door and verify that you can release the latch manually.
 - a) Adjust the lock and or keeper as necessary

*******WARNING: DO NOT MODIFY THE COVER TO ACCEPT THE KEEPER*******

- 15) Refer to "Porta Electric Door Lock Installation" instructions items 9-16 to complete the installation

*****WARNING*****

All inspections, maintenance, repairs and replacements should be performed by elevator personnel only.

*****WARNING*****

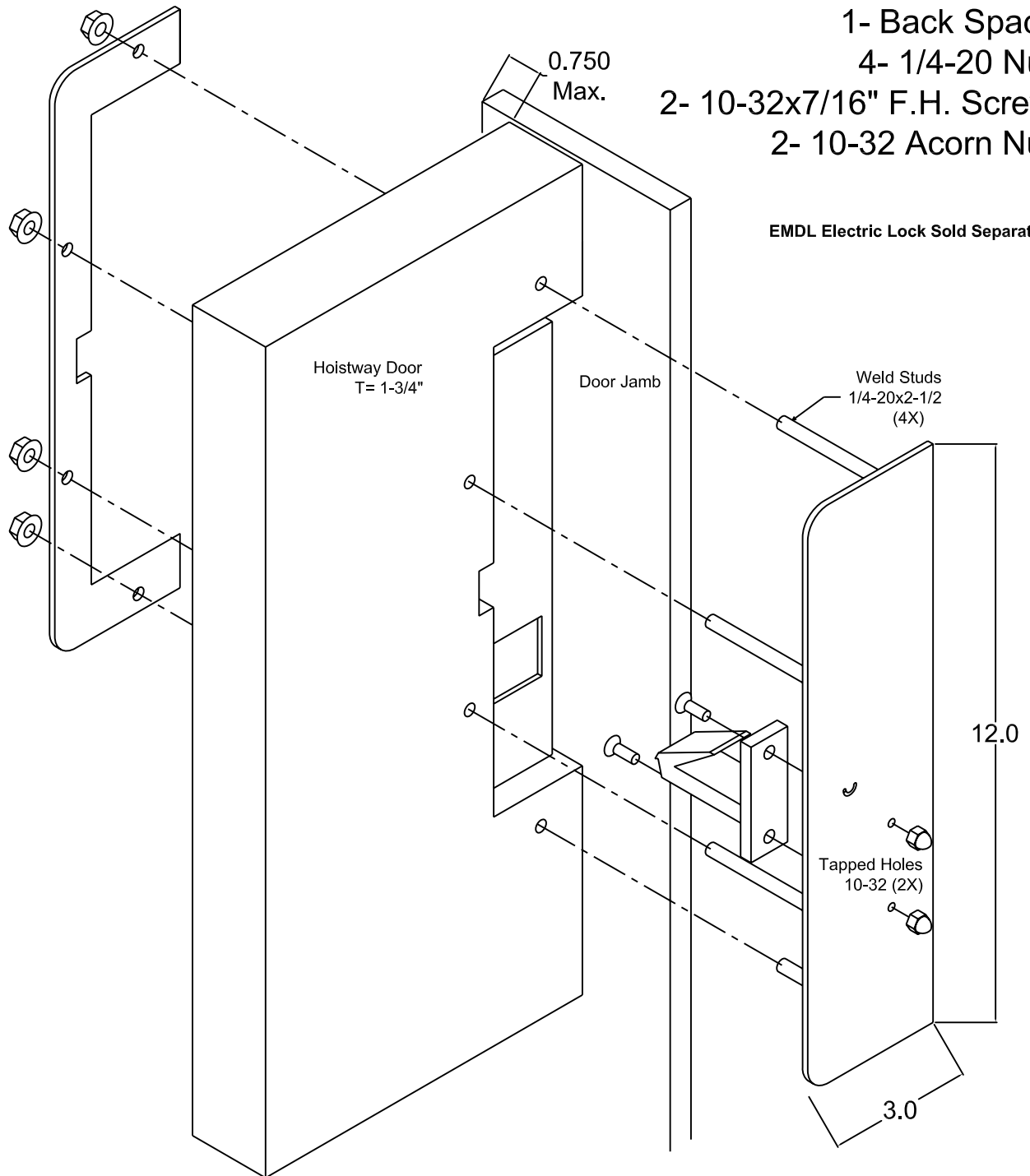
3/4" Set Back Plate Kit

Porta: EMDL R.H. Door Locks

Kit Contains:

- 1- Plate
- 1- Back Spacer
- 4- 1/4-20 Nuts
- 2- 10-32x7/16" F.H. Screws
- 2- 10-32 Acorn Nuts

EMDL Electric Lock Sold Separately



Note: If Hoistway Door is less than 1-3/4" thick additional 1/8" spacers are required on Hall side of plate. Additional spacers are sold separately. Part Number: EMDL750SP