

# ELEVATOR FIXTURES

## CALL & ALARM BUTTONS

TERMINAL	WIRE COLOR	FUNTION
1	BLK	LED (-)
2	RED	LED (+)
3	YEL	SW
4	GRN	SW

## STOP SWITCH

	POSITION	
	RUN	STOP
BLK SWITCH BLOCK	CLOSED	OPEN
RED SWITCH BLOCK	OPEN	CLOSED

## KEYED SWITCH

TERMINAL	COLOR	POSITION	
		ON	OFF
1	RED	OPEN	CLOSED
2	YEL	COM	COM
3	GRN	CLOSED	OPEN

## HALL STATION CALL BUTTON

TERMINAL	FUNTION
1	LED (-)
2	LED (+)
3	SW
4	SW

## HALL STATION CAR HERE LIGHT

TERMINAL	FUNTION
1	LED (-)
2	LED (+)



**Porta Inc.**

2420 Hamilton Rd., Arlington Heights, IL 60005  
Phone: (847)593-4900 Fax (847) 593-1394

SPEC.: COP CONN DIAG.  
DATE: 02-26-2009

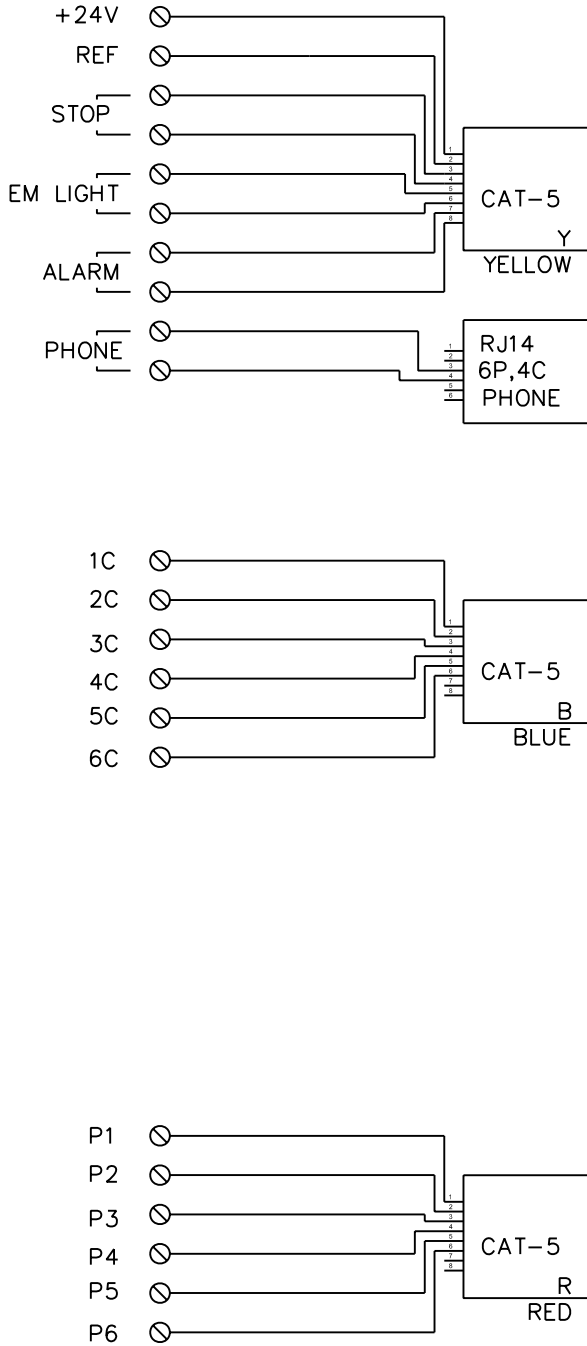
MANUFACTURED BY:



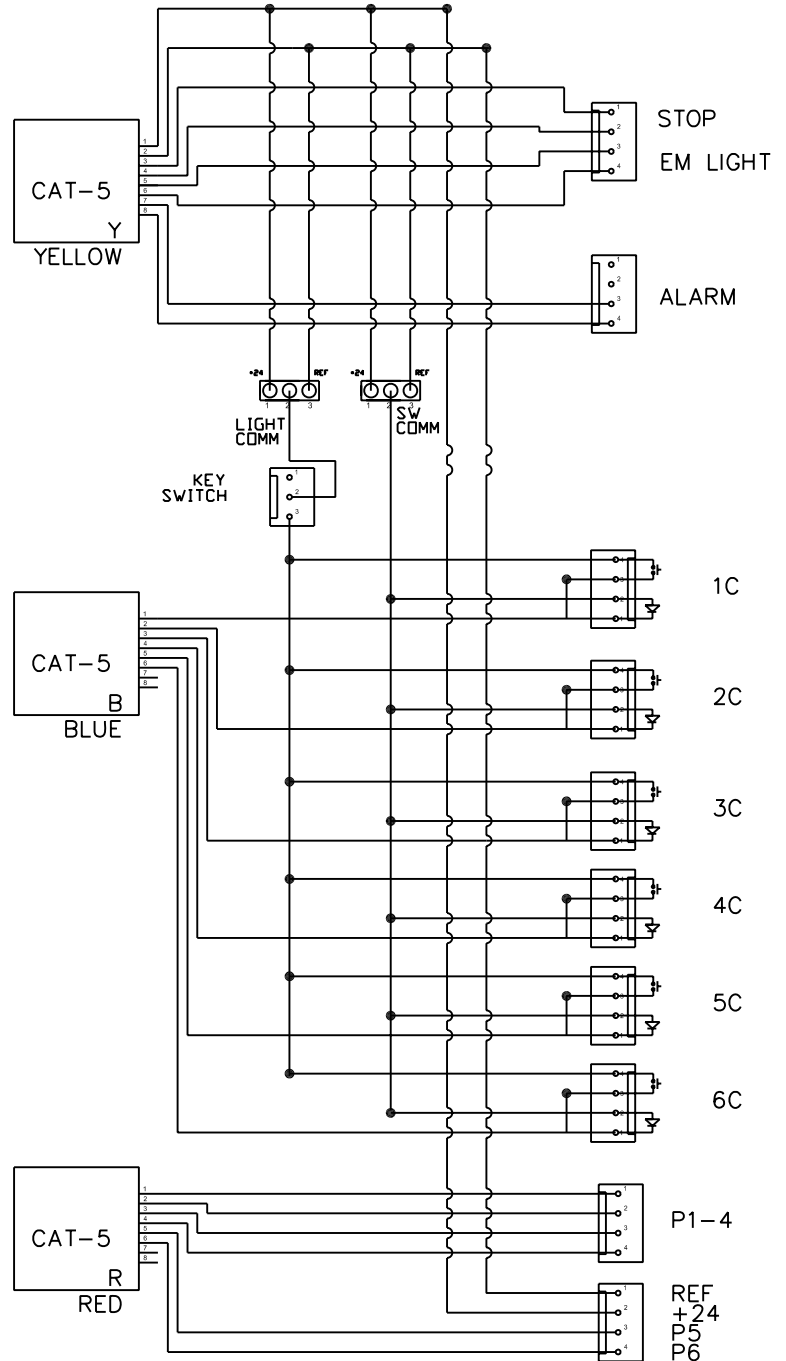
# Electrical Schematics of both PCBs

## REVISED Aug 25, 2008

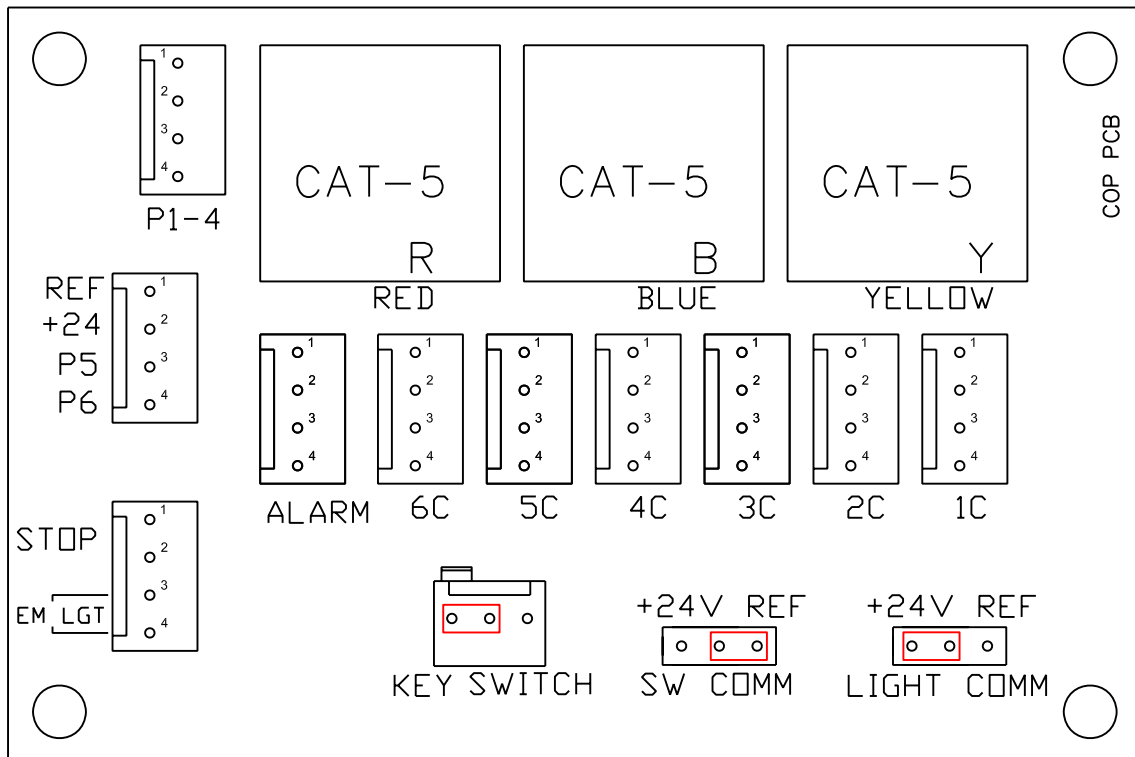
### CAR TOP PCB



### COP PCB



# Porta Plug & Play Jumper Configuration



Jumpers Shown in RED  
Setup for 4M2 Controller w/o Key Switch