

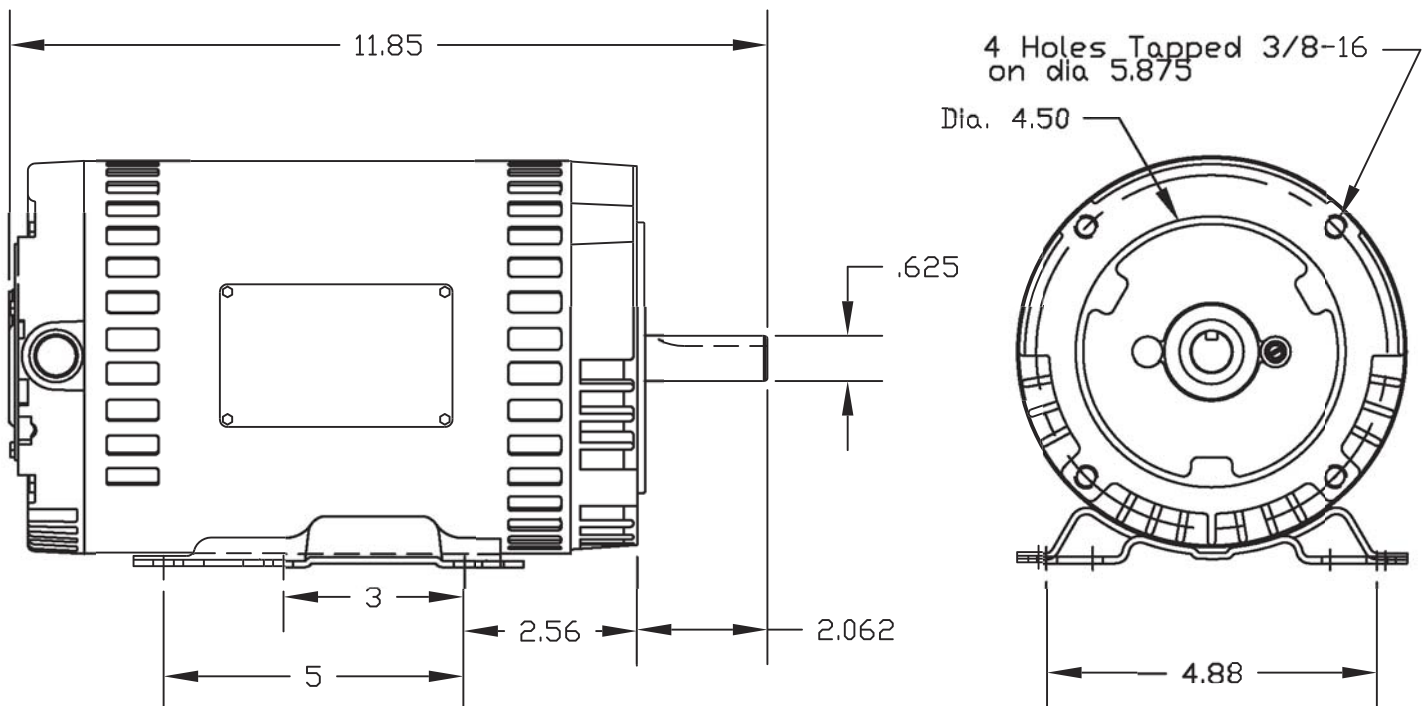
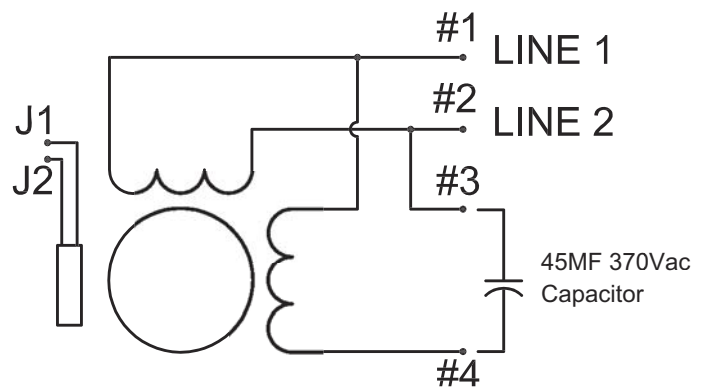
New Single Phase Submersible Pump Motor

- Motor winding are protected by a Normally Closed temperature sensor which opens at 120deg. C. The N.C.C. is rated for 230Vac, 2A and labeled J1 - J2.
- Motor rotation is C.W. as viewed from the non-drive end and is not reversible.
- Motors are UL listed
- Lead length is 49 inches
- Standard NEMA 56C Frame

Performance Data:

H.P.	VOLTAGE	F.L. RPM	F.L. AMPS
3	208	1741	16
3	230	1756	17.18
4	208	1719	19.5
4	230	1733	20.2

Connection Diagram:



Electro-Mech. Industries

2420 Hamilton Rd., Arlington Heights, IL 60005
 Phone (847) 593-4900 Fax (847) 593-1394

SPEC.: J0423
 DATE: January 2007

MANUFACTURED BY:



Low Flow Elevator Screw Pumps

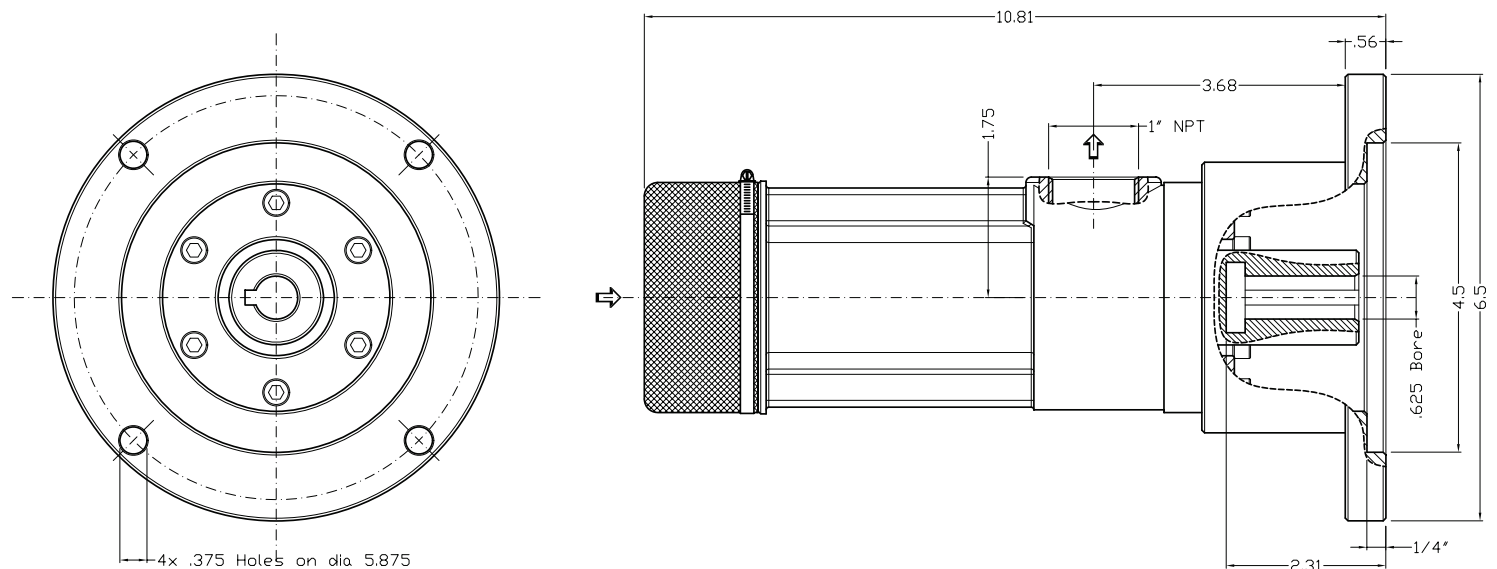
- **Hollow Shaft Pumps Mount Directly to NEMA 56C Frame motors**
- **Six Flow Rates Available**
- **Pump Rotation is C.W. as Viewed from Drive End**
- **300 Micron Screen**
- **Virtually Noise and Pulsation FREE**

Settima has been manufacturing elevator screw pumps since 1978 and currently produces over 30,000 pumps per year. The pumps are a positive displacement rotary design with axial flow. A major design feature is the self aligning power rotor which virtually eliminates pump noise and pulsations.

What separates this product line from other screw pumps is the 5/8" dia hollow shaft and the 56C flange. The pump is designed to mount directly to a standard NEMA 56C frame motor. This allows the O.E.M. to use an "off the self" motor.

These pumps can be mounted in any position as long as the inlet remains submersed in oil. This accommodates both submersible and dry motor arrangements.

Dimensional Data:



Electro-Mech Industries

2420 Hamilton Rd., Arlington Heights, IL 60005
Phone: (847) 593-4900 Fax (847) 593-1394

SPEC.: GR2532 PG1
DATE: January 2007

MANUFACTURED BY:



SETTIMA MECCANICA

Low Flow Elevator Screw Pumps

Settima Elevator Screw Pumps

**Roped Hydro (1:2) Car Speed (feet per minute) for Various Dia. Pistions
1750 RPM, 400 PSI, 150 SSU**

Piston (mm)	60					70				80	90
Piston (in)	2.362	2 3/8	2 1/2	2 5/8	2 3/4	2.756	2 7/8	3.000	3.150	3.543	
Model#	Car Speed (ft/min)										
GR25-25L	38.26	37.85	34.16	30.98	28.23	28.11	25.83	23.72	21.52	17.00	
GR25-30L	43.98	43.51	39.26	35.61	32.45	32.31	29.69	27.27	24.74	19.55	
GR32-35L	54.97	54.38	49.08	44.52	40.56	40.39	37.11	34.08	30.92	24.43	
GR32-45L	65.79	65.08	58.74	53.28	48.54	48.34	44.41	40.79	37.01	29.24	
GR32-55L	76.96	76.13	68.71	62.32	56.79	56.54	51.96	47.72	43.29	34.21	
GR32-75L	101.85	100.76	90.93	82.48	75.15	74.83	68.76	63.15	57.29	45.27	

Note: For direct drive Hydro applications, Car speed will be 1/2 of stated values.

Settima Elevator Screw Pumps

1750 RPM, 150 SSU

Model#		Pressure at Pump Discharge (PSI)									
		200	300	350	400	450	500	550	600	700	800
GR25-25L	GPM	4.60	4.49	4.42	4.35	4.29	4.22	4.15	4.08	3.94	3.79
	HP	0.8	1.1	1.2	1.4	1.5	1.6	1.7	1.8	2.1	2.2
GR25-30L	GPM	5.55	5.28	5.15	5.00	4.89	4.75	4.60	4.48	4.22	3.98
	HP	1.0	1.3	1.4	1.6	1.7	1.8	1.9	2.0	2.2	2.4
GR32-35L	GPM	6.80	6.50	6.38	6.25	6.10	5.98	5.88	5.75	5.55	5.32
	HP	1.2	1.6	1.8	2.0	2.1	2.3	2.5	2.6	2.9	3.2
GR32-45L	GPM	8.25	7.85	7.65	7.48	7.30	7.15	7.02	6.80	6.62	6.38
	HP	1.4	1.9	2.1	2.3	2.5	2.7	2.9	3.1	3.5	3.8
GR32-55L	GPM	9.20	8.98	8.88	8.75	8.64	8.52	8.40	8.28	8.00	7.70
	HP	1.6	2.2	2.5	2.7	3.0	3.3	3.5	3.8	4.2	4.6
GR32-75L	GPM	12.35	11.96	11.78	11.58	11.40	11.20	11.02	10.85	10.50	10.15
	HP	2.2	2.9	3.3	3.6	4.0	4.3	4.6	4.9	5.5	6.0



SPEC.: GR2532r1PG2
DATE: 9-7-07

MANUFACTURED BY:



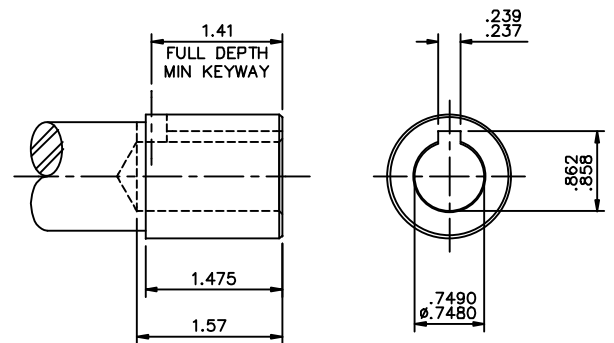
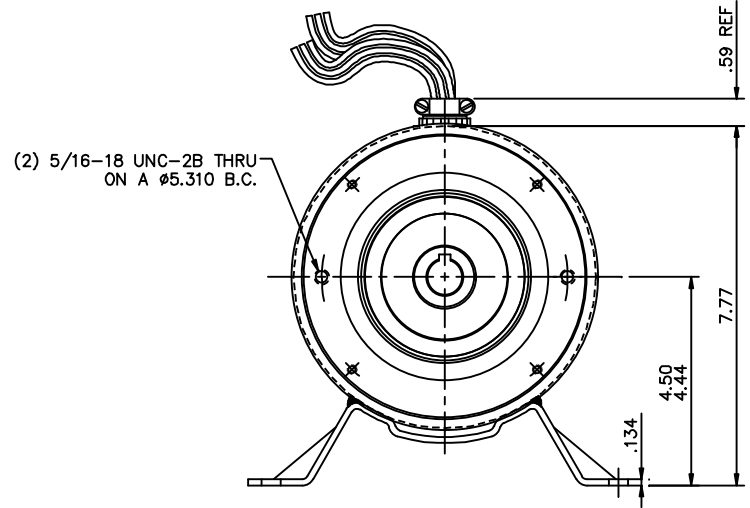
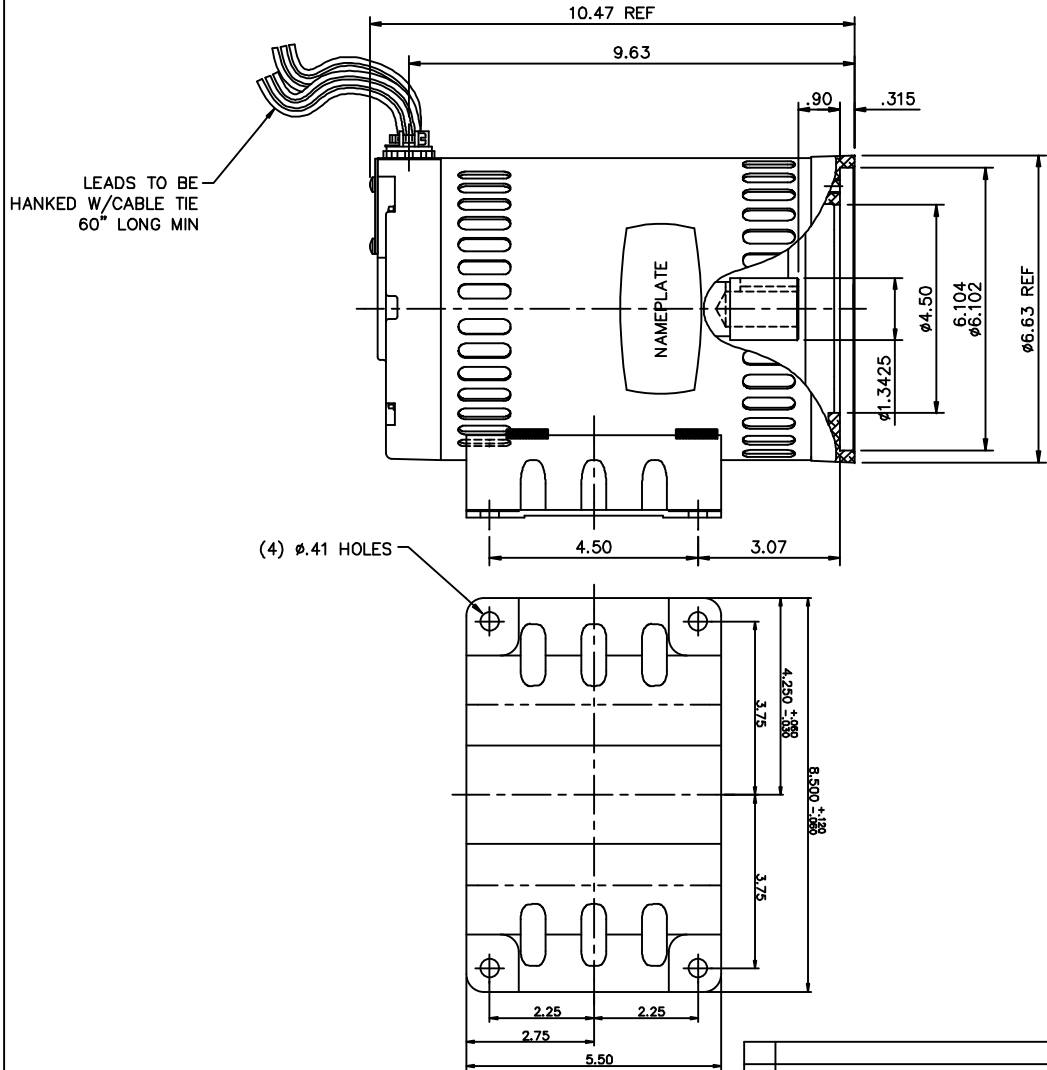


Electro-Mech Industries

250 Hamilton Road
 Arlington Heights, IL 60005
 Ph. 847-593-4900 Fax 847-593-1394

2.5 / 3.5, 5 & 10 HP MOTORS

HP	EMI Part #	PHASE	VOLTS at 60Hz	NEMA CODE	FRAME	FULL LOAD RPM	FULL LOAD AMPS	STARTING AMPS	FULL LOAD POWER FACTOR	NEMA NOM. EFF.
2.5	SUBJ0322L	Single	208-230	H	56Z	1725	13-14	74 @ 230 Volt 67 @ 208 Volt	85 @ 3.5 HP	77 @ 3.5 HP
3.5							17-18			
2.5	SUBJ03TRL	Three	208-230/460	H	56Z	1725	8.8 - 8.4 / 4.2	28 @ 460 Volt 56 @ 230 Volt 51 @ 208 Volt	78.6	81.5
3.5							10.8 - 10.4 / 5.2			
2.5	SUBJ0357L	Three	575	H	56Z	1725	3.7 @ 3 HP	21	76.6 @ 3 HP	80 @ 3 HP
3.5							3.4 @ 2.5 HP			
5	SUBJ0522L	Single	208-230	C	56Z	1585	26-23	60.44	95.4	68
5	SUBJ05TRL	Three	200-230/460	E	56Z	1682	15.4 - 14.4 / 7.2	60/30	80.1	78.5
5	SUBJ0557L	Three	575	E	56Z	1725	5.8	24	80.0	78.5
10	SUBJ1022L	Single	208-220	C	182TZ	3450	47-46	153-169	92.0	78.5
10	SUBJ10TRL	Three	208-230/460	J	182TZ	3450	26 - 24 / 12	182-200/100	89.4	87.5
10	SUBJ1057L	Three	575	J	182TZ	3476	9.5	80	89.4	88.1



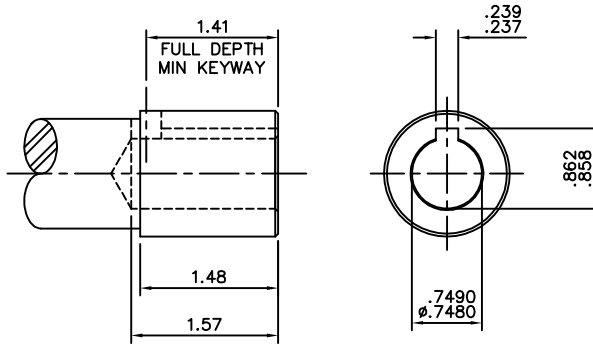
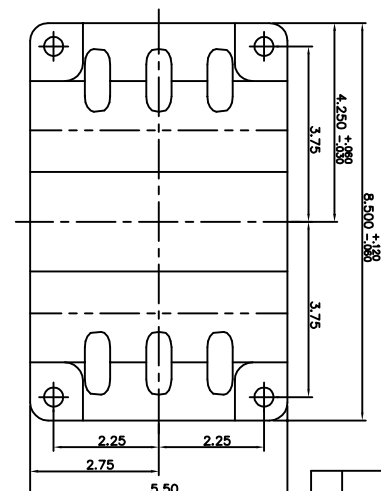
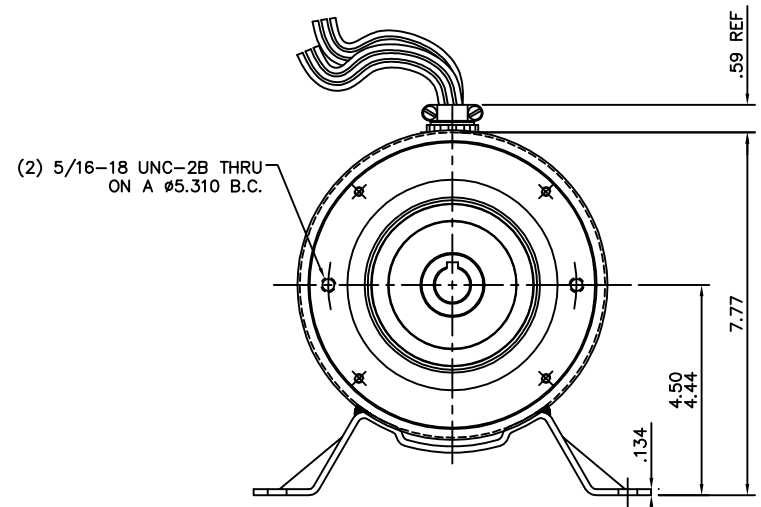
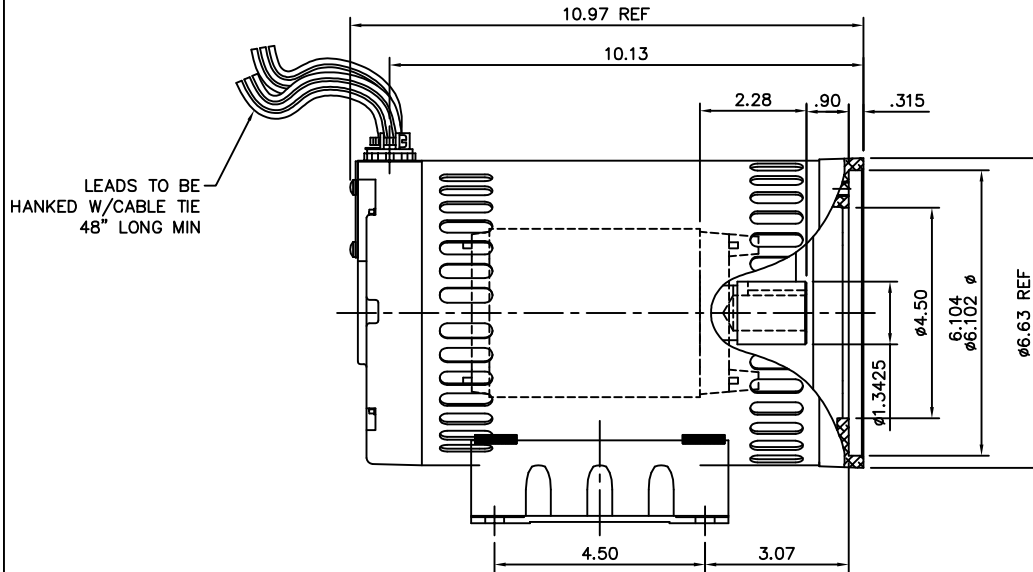
SHAFT DETAIL
SCALE: 2=1

BASE & PUMP MOUNTING TAPS TO BE SQUARE & PARALLEL TO EACH OTHER ±1/32"

		TOLERANCES UNLESS SPECIFIED		REGAL-BELOIT CORPORATION		DRAWN	LST 4/12/12			
		DEC.	INCHES			CHK				
		.X	±.1	TITLE OUTLINE - 56Y FRAME OPEN - RIGID		APPD				
		.XX	±.03			SCALE	3=8			
		.XXX	±.005			REF	OL117722			
01	LEAD LENGTHS WERE 48" MIN.	LST	4/19/12	.XXXX	±.0005	MAT'L	SPECIAL W/180 FRAME BASE	FMF	117557.00	
NO.	REVISION	BY & DATE	CHK	ANG	±1/2'	FINISH		PREV		
THIS DRAWING IN DESIGN AND DETAIL IS OUR PROPERTY AND MUST NOT BE USED EXCEPT IN CONNECTION WITH OUR WORK ALL RIGHTS OF DESIGN AND INVENTION ARE RESERVED THIS IS AN ELECTRONICALLY GENERATED DOCUMENT - DO NOT SCALE THIS PRINT				RFP		CAD FILE	OLPR121032	SIZE	DRAWING NO.	REV.
				DIST				B	OLPR121032	01

EMI 5HP MOTOR #'s: SUBJ0522L 1PH, SUBJ05TRL 208-230/460V 3PH & SUBJ0557L 575V 3PH

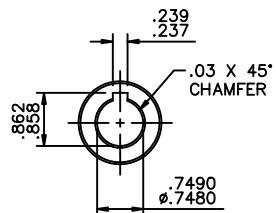
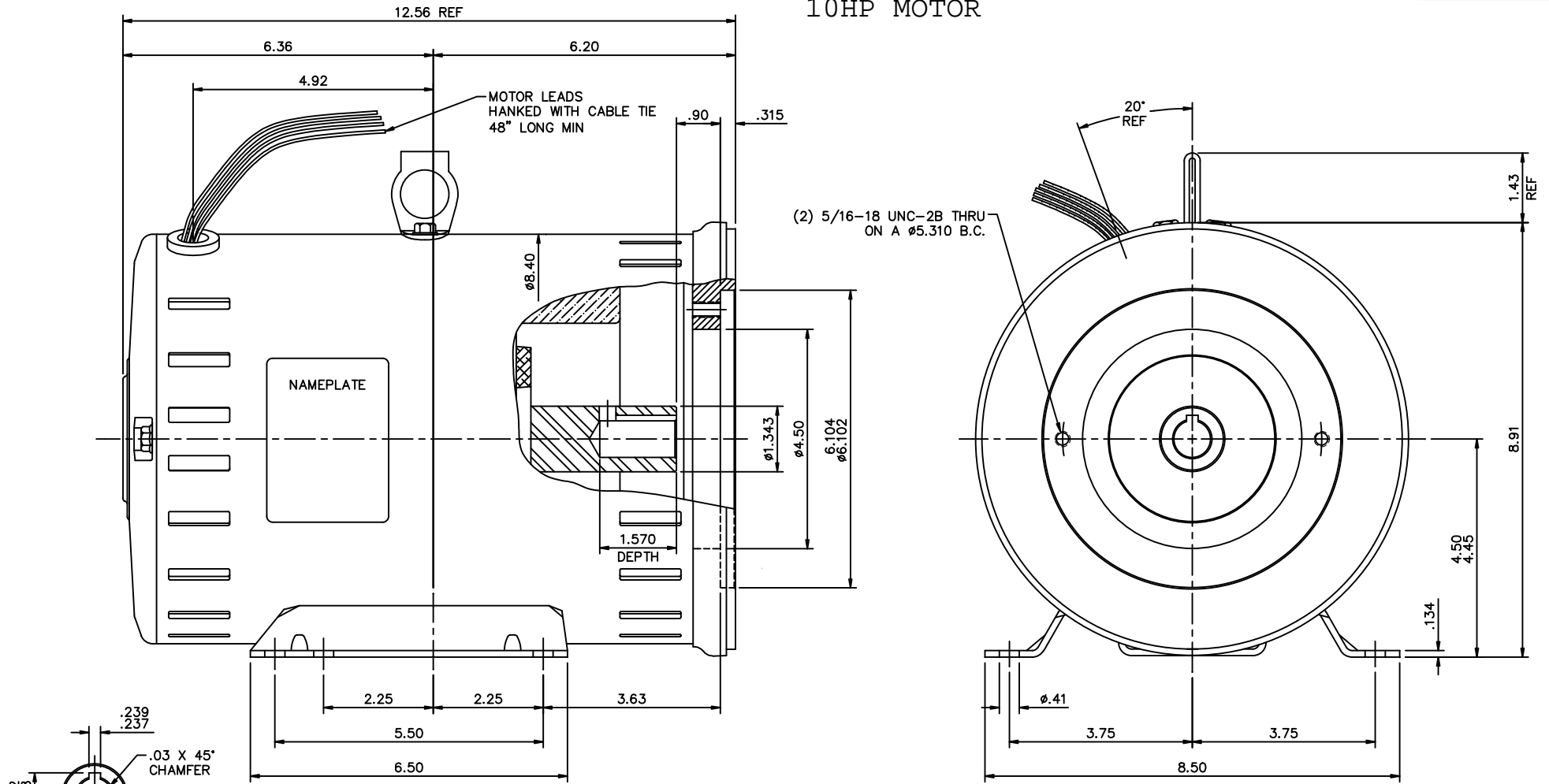
OL117544



BASE & PUMP MOUNTING TAPS TO BE SQUARE & PARALLEL TO EACH OTHER ±1/32"

			TOLERANCES UNLESS SPECIFIED		LEESON ELECTRIC MOTORS GEARMOTORS AND DRIVES	DRAWN JD 03/31/2011
			DEC.	INCHES		CHK
			.X	±.1	APPD	
			.XX	±.03	TITLE	SCALE 3=8
			.XXX	±.005		REF OL116479
			.XXXX	±.0005	MAT'L	FMF 117544.00
NO.	REVISION	BY & DATE	CHK	ANG ±1/2"	FINISH	PREV
THIS DRAWING IN DESIGN AND DETAIL IS OUR PROPERTY AND MUST NOT BE USED EXCEPT IN CONNECTION WITH OUR WORK ALL RIGHTS OF DESIGN AND INVENTION ARE RESERVED THIS IS AN ELECTRONICALLY GENERATED DOCUMENT - DO NOT SCALE THIS PRINT			RFP		CAD FILE OL117544	SIZE B
			DIST			DRAWING NO. OL117544
						REV.

10HP MOTOR



SHAFT BORE DETAIL

BASE & PUMP MOUNTING TAPS TO BE SQUARE & PARALLEL TO EACH OTHER $\pm 1/32"$

NO.		REVISION	BY & DATE	CHK	ANG	$\pm 1/2"$	FINISH	LEESON ELECTRIC MOTORS GEARMOTORS AND DRIVES		DRAWN JD 05/18/2011
TOLERANCES UNLESS SPECIFIED							TITLE		SCALE	REV.
DEC. INCHES							OUTLINE- 182TZ FRAME		1=2	OL131989
.X $\pm .1$							OPEN- SPECIAL MOUNT		REF	132282.00
.XX $\pm .03$							MAT'L		FMF	
.XXX $\pm .005$							RFP		PREV	
.XXXX $\pm .0005$							CAD FILE		OL132282	
THIS DRAWING IN DESIGN AND DETAIL IS OUR PROPERTY AND MUST NOT BE USED EXCEPT IN CONNECTION WITH OUR WORK ALL RIGHTS OF DESIGN AND INVENTION ARE RESERVED THIS IS AN ELECTRONICALLY GENERATED DOCUMENT - DO NOT SCALE THIS PRINT							SIZE		DRAWING NO.	
							B		OL132282	

VIEW FROM OUTSIDE OF MOTOR AT SWITCH END.

EMI 10HP 1PH #SUBJ1022L

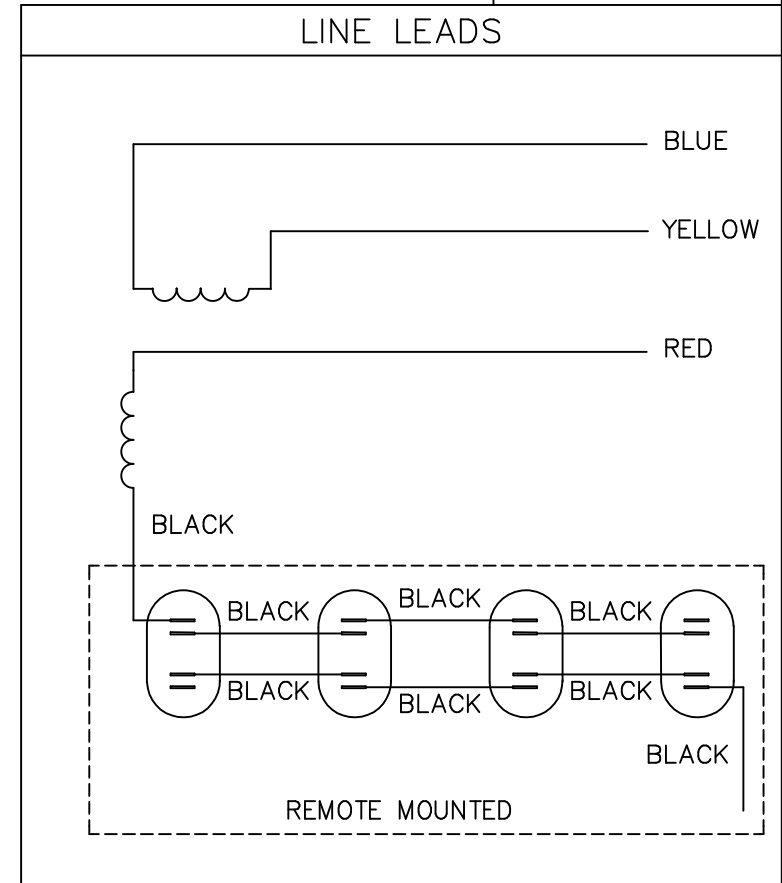
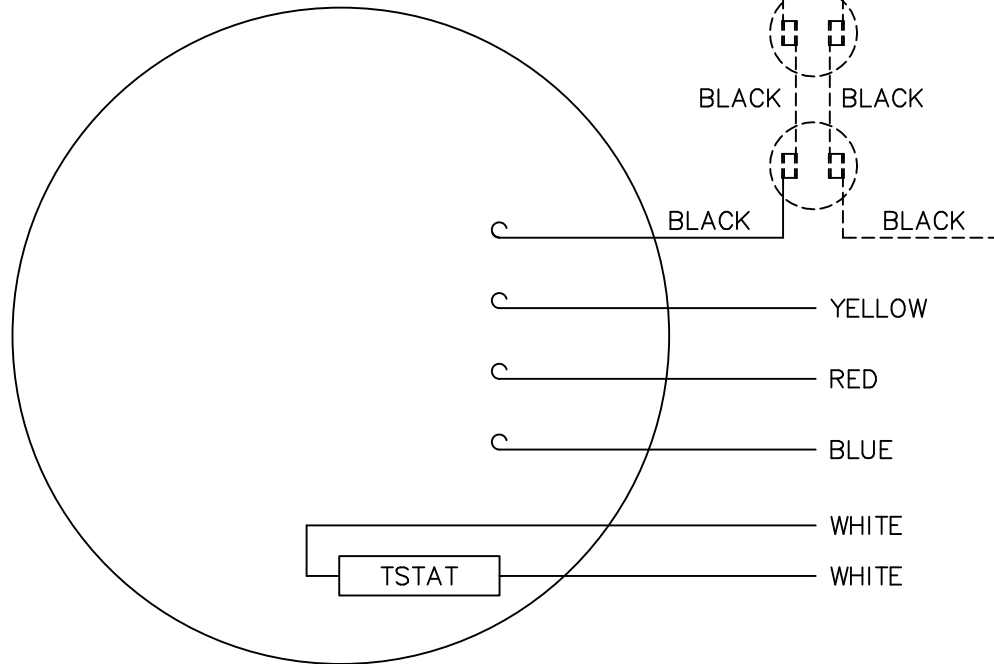
EMI 5HP 1PH #SUBJ0522L

(FOR THE 5HP ELIMINATE THE TOP 2 CAPACITORS)

EMI 2.5/3/5HP #SUBJ0322L

(FOR THE 2.5/3.5HP ELIMINATE THE TOP 3 CAPACITORS)

REMOTE MOUNTED
CAPACITORS BY CUSTOMER



ROTATION FACING LEAD END	L1	L2	
C.C.W.	BLUE RED	YELLOW BLACK	
C.W.	BLUE BLACK	YELLOW RED	

NO.	REVISION	BY & DATE	CHK	TOLERANCES UNLESS SPECIFIED	
				DEC.	INCHES
				.X	±.1
				.XX	±.01
				.XXX	±.005
				.XXXX	±.0005
				ANG	±1/2°



ELECTRIC MOTORS
GEARMOTORS
AND DRIVES

DRAWN	JGO 01/06/04
CHK	
APPD	
SCALE	1=2
REF	005058-02
FMF	
PREV	

TITLE
EXTERNAL WIRING DIAGRAM
TYPE "P" W/O PROTECTOR

MAT'L.
FINISH

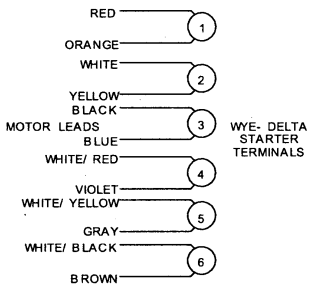
THIS DRAWING IN DESIGN AND DETAIL IS OUR PROPERTY AND MUST NOT BE USED EXCEPT IN CONNECTION WITH OUR WORK ALL RIGHTS OF DESIGN AND INVENTION ARE RESERVED THIS IS AN ELECTRONICALLY GENERATED DOCUMENT - DO NOT SCALE THIS PRINT

RFP	CAD FILE	00505805	SIZE	DRAWING NO.	REV.
DIST			A	005058-05	

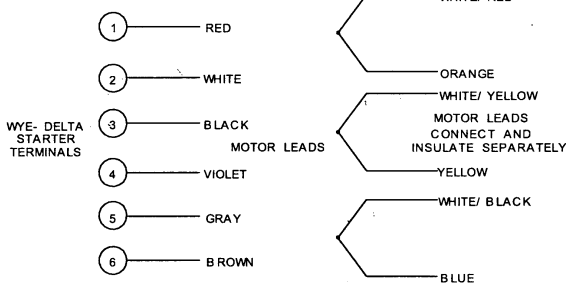
EMI ELECTRO-MECH INDUSTRIES PART # SUBJ03TRL & SUBJ05TRL
 LINE LEADS AWG 16 - T-STAT LEADS (WHITE) AWG 20

WYE - DELTA STARTING USEABLE ON 2,4 AND 6 POLE MOTORS.

LOW VOLTAGE CONNECTION

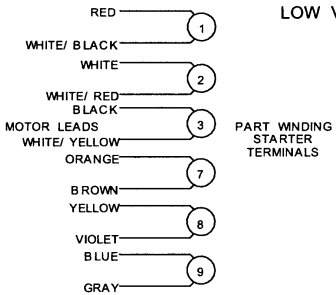


HIGH VOLTAGE CONNECTION



REFER TO THE WYE- DELTA STARTER CONNECTION INSTRUCTIONS FOR PROPER CONNECTION OF POWER LINES TO STARTER.

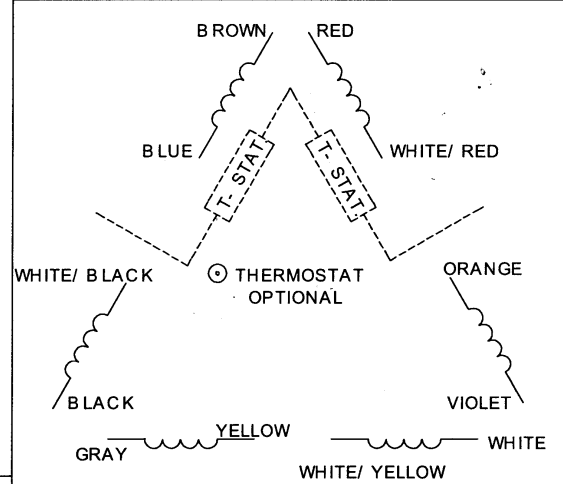
PART WINDING START USABLE ON 4 & 6 POLE MOTORS
 LOW VOLTAGE CONNECTION ONLY



REFER TO THE PART WINDING STARTER INSTRUCTIONS FOR PROPER CONNECTION OF POWER LINES TO STARTER.

REFER TO THE CUTLER - HAMMER OR EQUIV. FOR PROPER SELECTION OF OVERLOAD HEATER COILS.

LINE LEADS



ROTATION CAN BE REVERSED BY INTERCHANGING ANY TWO LINE LEADS
 ⊕ WHITE LEADS OR P1, P2, FOR N/ C THERMOSTAT

ACROSS THE LINE START & RUN

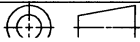
	LINE 1	LINE 2	LINE 3	JOIN & INSULATE SEPARATELY
HIGH VOLT	RED, BROWN	WHITE, VIOLET	BLACK, GRAY	(WHT/ RED,ORG) (WHT/ YEL,YEL) (WHT/ BLK,BLU)
LOW VOLT	RED,WHT/ BLK ORANGE,B RN	WHT,WHT/ RED YELLOW,VIOLET	BLK,WHT/ YEL BLUE,GRAY	

NO	REVISION	BY & DATE	CHK	TOLERANCES UNLESS SPECIFIED	
				DEC	INCHES
				X	±.1
				.XX	±.01
				.XXX	±.005
				.XXXX	±.0005
			ANG	±1/2°	

REGAL Regal-Beloit Corporation

DRAWN	VJB 10/12/12
CHK	
APPR	
TITLE	DELTA - WYE CONNECTION DIAGRAM
SCALE	1:1
REF	004172.01
FMF	117551.00
PAGE	OF

THIRD ANGLE PROJECTION



RFP

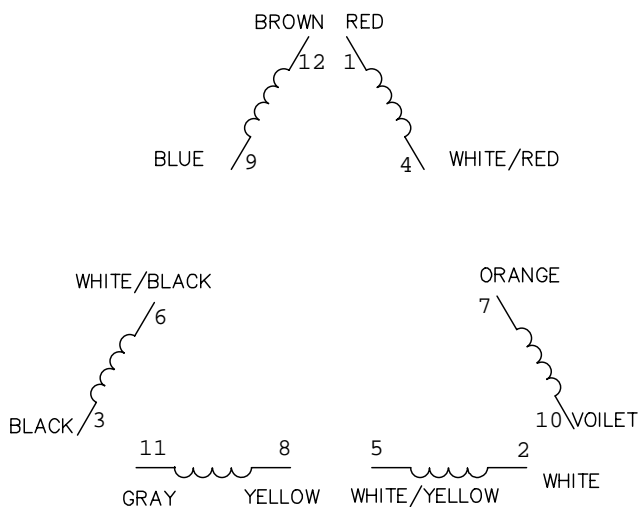
PREV

SIZE	DRAWING NO	REV
A	004172-04	

005517-02

ROTATION CAN BE REVERSED BY
INTERCHANGING ANY TWO LINE LEADS

ELECTRO-MECH INDUSTRIES (EMI) 10HP #SUBJ10TRL 200-230/460 3PH
LINE LEADS AWG 16 - T-STAT (YELLOW) LEADS AWG 18



HIGH VOLTAGE

START (1Y) - RUN (1D) CONNECTION				
	LINE 1	LINE 2	LINE 3	JOIN & INSULATE
START (1Y)	RED	WHITE	BLACK	(WH/RD,OR) (WH/YL,YL)(WH/BLK,BL) (VL,GR,BR)
RUN (1D)	RD,BR	WH,VL	BLK,GR	(WH/RD,OR) (WH/YL,YL) (WH/BLK,BL)

LOW VOLTAGE

START (2Y) - RUN (2D) CONNECTION				
	LINE 1	LINE 2	LINE 3	JOIN & INSULATE
START (2Y)	RD,OR	WH,YL	BLK,BL	(WH/RD,WH/YL,WH/BLK) (VL,GR,BR)
RUN (2D)	RD,WH/BLK OR,BR	WH,WH/RD YL,VL	BLK,WH/YL BL,GR	△

				TOLERANCES UNLESS SPECIFIED		LEESON ELECTRIC MOTORS GEARMOTORS AND DRIVES		DRAWN KKC 04/26/2012		
				DEC.	INCHES	EXT. WIRING DIAGRAM WYE START DELTA RUN		CHK		
				.X	±.1			APPD AK 04/26/2012		
				.XX	±.01			SCALE 1=1		
				.XXX	±.005			REF 005517-01ME		
				.XXXX	±.0005	MAT'L		FMF		
NO.	REVISION	BY & DATE	CHK	ANG	±1/2"	FINISH		PREV		
THIS DRAWING IN DESIGN AND DETAIL IS OUR PROPERTY AND MUST NOT BE USED EXCEPT IN CONNECTION WITH OUR WORK ALL RIGHTS OF DESIGN AND INVENTION ARE RESERVED THIS IS AN ELECTRONICALLY GENERATED DOCUMENT - DO NOT SCALE THIS PRINT				RFP	CAD FILE	005517-02	SIZE	DRAWING NO.		REV.
				DIST			A	005517-02		